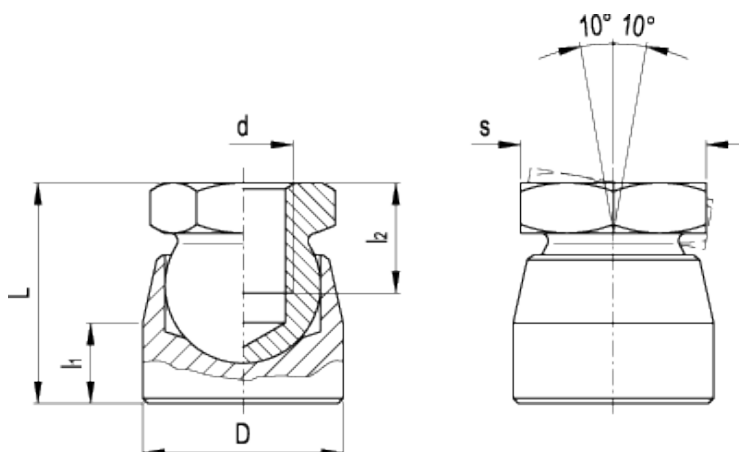


GN 346

Thrust pads with ball joint and threaded hole



technical informations

Material

Zinc-plated steel, class 5.8 (tensile strength 500 N/mm²).

Features and applications

GN 346 thrust pads are normally used to transmit clamping forces. Thanks to the ball joint, they can be adapted on irregular or non-parallel surfaces and prevent the rotating movement of the screw from being exerted directly on the piece to be locked.

Technical data

The values of max limit static load shown in the table were obtained through a series of laboratory tests with vertical static load.

Standard Elements	Main dimensions				Max limit static load [N]	Mounting hole		Weight g
	D	L~	l ₁	s		d	l ₂	
Description								
GN 346-16-M8	16	19	7	12	5000	M8	9	20
GN 346-20-M10	20	22	8	15	7500	M10	11	35

GN 346-24-M12	24	25	10	17	10000	M12	12	55
GN 346-30-M16	30	34	13	24	15000	M16	16	115



ELESA and GANTER models all rights reserved in accordance with the law. Always mention the source when reproducing our drawings.

STANDARD MACHINE ELEMENTS WORLDWIDE